



RL67 BREATH PROTECTION PANE (PMMA)



The protection pane is made in PLEXIGLASS (polymethylmethacrylate - PMMA) completely transparent (height 650mm – thickness 5mm – customised length), easy to install and to disassemble.

RL67 BREATH PROTECTION



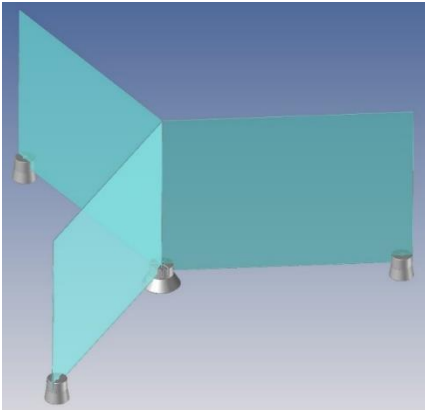
RL67 is a die-casted aluminium support to prop breath protection panes up, a necessary safety device of those who cannot grant security distance among employees / customers.

This article consists of a base, on which a choice of two rotating heads (120° or 90°) is inserted. The grooves on the heads are positioned at different angles to allow multiple jointing, depending on the geometry of the area to be delimited:

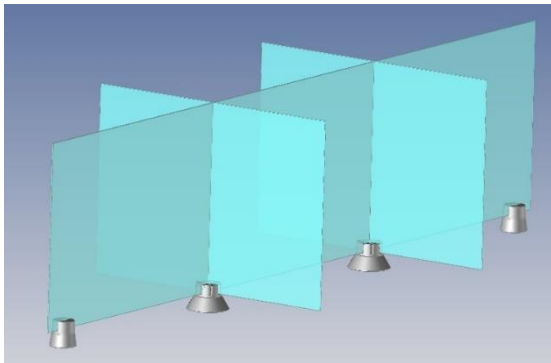


Fondart[®]

PRESSOFUSIONE

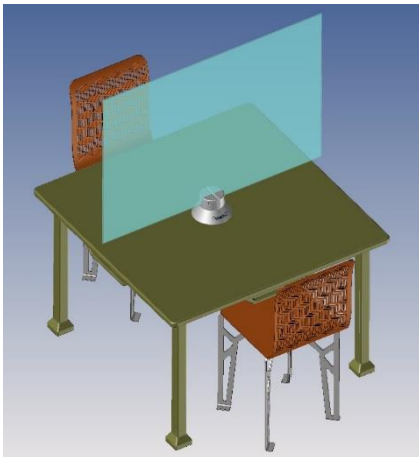


For round tables:
1x RL67 Base with Testa 120° + 3x RL67 Finale



For long tables, desks and worktops with several workstations:

2x RL67 Base with Testa 90° + 2x RL67 Finale



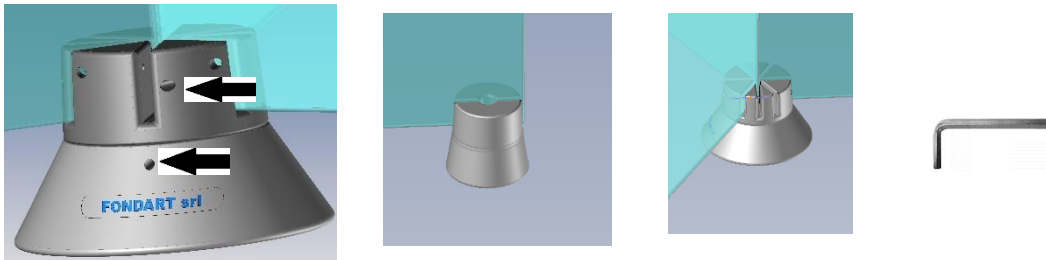
For two-person tables:

1x RL67 Base with Testa 90°



INSTALLATION

The support is practical for autonomous installation and can also be anchored to the support surface.



FOR A PROPER INSTALLATION, MAKE SURE THE BEARING SURFACE IS FLAT, TO AVOID RISK OF OVERTURNING

Position the supports on the table at the desired distance. Vertically insert the plexiglass plate into the slots of the two supports and, if necessary, adjust the distance between them. Once the desired position has been obtained, fix the plate to the bases by tightening the screws in the upper part of the supports using the Allen key present in the assembly kit.

To block the rotation of the supports, tighten the screw at the bottom of the bases always using the same Allen key supplied.



DO NOT FORCE THE COMPONENTS DURING THE ASSEMBLY

SUPPORTS AND PROTECTION PANES CLEANING

How to clean supports and panes:

- apply a neutral detergent on the entire surface of the components with the aid of a nebulizer;
- rub with clean cloth;
- wipe with a dry cloth.



CHEMICAL PRODUCT	RESISTANCE
Accumulator acid	+
Chromic acid up to 10 %	○
Hydrofluoric acid up to 20 %	+
Phosphoric acid up to 10 %	+
Nitric acid up to 10 %	+
Hydrochloric acid	+
Sulphuric acid up to 10 %	+
Sulphurous acid up to 5%	+
Ammonia water	+
Potassium hydroxide 40 %	+
Sodium hydroxide 40 %	+
Soapsuds	+
Soda solution	+
Metallic salts and metallic salt solution	+
Ammonia	+
Bromine vapour	○
Chlorine vapour	○
Carbon monoxide	+
Carbon dioxide	+
Coal gas	+
Methane	+
Ozone	+
Oxygen	+
Sulphur dioxide	+
Hydrogen sulphide	+
Nitrogen monoxide	+
Nitrogen dioxide	+
Acetone	-
Ethyl acetate	-
Ethyl ether	-
Ethyl alcohol up to 20 %	+
Ethyl alcohol concentrated	-
Ethyl butyrate	-
Ethyl chloride	-
Amyl acetate	-
Aniline	-

CHEMICAL PRODUCT	RESISTANCE
Benzene, aliphatic hydrocarbons	+
Benzol	-
Chloroform	-
Diacetone alcohol	-
Diamyl phthalate	○
Diamyl glycol	+
Diethylene glycol	+
Dibutyl phthalate	-
Dioxan	-
Glycerine	+
Glycol	+
Heptane	+
Hexane	+
Isopropyl alcohol	○
Cresol	-
Varnish thinner	-
Methyl ethyl ketone	-
Perchloroethylene	○
Petroleum ether	+
Ethylene oxide	-
Petroleum	○
Phenols	-
Carbon disulphide	-
Turpentine	+
Turpentine substitute (white spirit)	○
Carbon tetrachloride	-
Tetralin	-
Toluene	-
Benzol-free motor-fuel mixture	+
Motor-fuel mixture containing benzol	-
Triethyl amine	+
Xylene	-
Formic acid	-
Butyric acid up to 5 %	+
Acetic acid up to 10 %	+
Acetic acid concentrated	-
Lactic acid up to 20 %	○
Tartaric acid up to 20 %	+
Citric acid up to 20 %	+



Fondart[®]

PRESSOFUSIONE



AVAILABLE COLOURS FOR ALUMINIUM SUPPORTS

 RAL 9016 BIANCO TRAFFICO	 RAL 1018 GIALLO ZINCO
 RAL 8017 TESTA DI MORO	 RAL 8028 MARRONE TERRA
 RAL 5010 BLU GENZIANA	 RAL 3004 ROSSO
 RAL 7035 GRIGIO LUCE	 RAL 9006 ALLUMINIO BRILLANTE
 RAL 7016 GRIGIO ANTRACITE	 RAL 9011 NERO GRAFITE